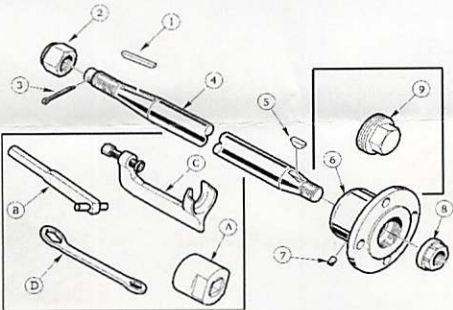
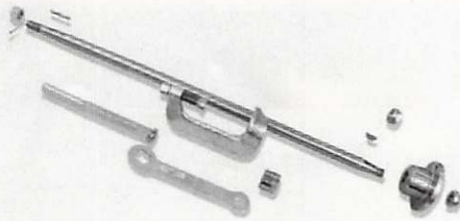


System Drive Shaft



System Drive Shaft

- designed for fast & easy installation and removal
- built to tighter tolerances than industry standards
- specialty tools (A-D) simplify drive shaft repair

Spare Prop Kit



Blackpack Prop Kit

- protects spare prop from damage
- keeps prop removal tools together and accessible
- molded plastic case with foam insert
- includes Ironman puller, prop wrench, nylon insert nut, brass key, and cotter pin
- sold with or without propeller

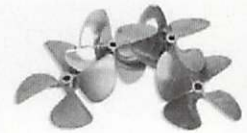
Prop Puller



Ironman Prop Puller

- forged steel for strength
- pad design is easier to use and will not damage the propeller or the drive shaft
- removes 3 or 4 blade propellers

Propellers



Propellers

- Acme or Oj
- 3 & 4 blade

Elbert's

14560 SE Foster Rd
Dayton OR 97114

info@elberts.com

www.elberts.com

800-541-4962

LAVELLE

Training School
Wakeboard, Wakesurf & Waterski



*YOUR GOALS
BECOME OUR GOALS*

- » Learn from the pioneer & 6x World Wakeboard Champion
- » Over 22 years of coaching experience
- » One-on-one and/or group coaching
- » For all ages and riding levels (from beginner to professional)
- » Operates year round
- » Trains top pro riders on the Pro Tour



LTSWAKE.com
3731 NW 9th Avenue
Pompano Beach FL 33064
1-954-520-0620
INFO@LTSWAKE.COM



ATTENTION PADDLEBOARDERS

- Multi-Use Booster Seat
- From Floating, Standup Paddling, to Sitdown in Seconds.
- Reduce Your Aches and Pains.w/Fun (PFD)



www.FloatnThang.com

\$25 COUPON, Txt "Floating" 44222

IT'S AH
FLOAT'N
& BOAT'N
THANG!

wakesurfer

TO INQUIRE ABOUT AD SPACE CALL:

CHARLES NEGRON
407.571.4935

charles.negron@bonniercorp.com

Eden ski lake
WATERSKI SCHOOL

FORT MYERS - FLORIDA | TEL: 239 223 5333

WORLD

PUBLICATIONS

Checks Only: PO Box 538167 Atlanta, GA 30353-8167
All other to: AR Dept, 460 N Orlando Ave., Suite 200, A/R Dept, Winter Park, FL 32789
Email: AccountsReceivable@Bonniercorp.com
Phone: 407-571-4757 Fax: 407-571-4501
Federal ID # 59-3754954

INVOICE

Date 4/13/2017 Number WSK416580
Due Date 5/13/2017

Bill To: 201292
Doug Masi
D&M Management Services LLC
12493 South 181st Avenue
Goodyear, AZ 85338

**** If invoice is discrepant you must email Accounts Receivable before the Due Date to avoid possible Late Fees ****

Publication	Sales Rep	Page
WATERSKI Wake Surf Spring-17 Print	Charles Negron	81

Description	Amount
-------------	--------

Ad Headline:
Attention Paddleboarders

1/8 PAGE 4C	1,250.00
SPECIAL DISCOUNT	(850.00)

Total Invoice Amount \$400.00

<u>Date</u> 4/13/17	<u>Reference #</u> Payment: 594542CC1	<u>Amount</u> (400.00)
------------------------	--	---------------------------

Invoice Balance	\$0.00
------------------------	---------------

BONNIER
Corporation

Checks Only: World Publications, LLC PO Box 538167 Atlanta, GA 30353-8167
All other to: AR Dept, 460 N Orlando Ave Suite 200, A/R Dept, Winter Park FL 32789