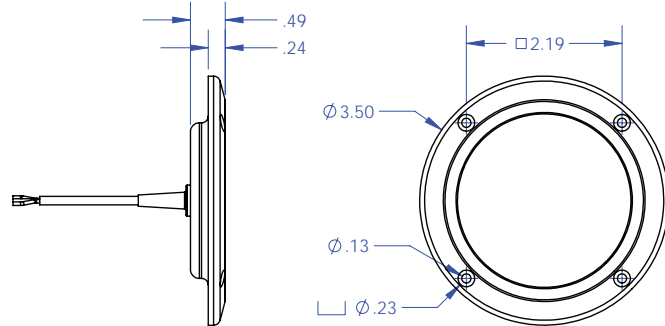


ROUND DOME LIGHT

PWM Dimmable



OVERVIEW

Blue Wolf's NVIS Round Dome light is designed for interior cabin illumination or for cargo bay lighting. It has a very small form factor, less than 3.5 inches in diameter and only 0.490" thick. Manufactured out of solid 6061 aluminum, this Round Dome light provides brilliant illumination utilizing 25 low power LEDs with a 125° beam spread. This is our more advanced and Heavy Duty version Round Dome light with full PWM dimming control. This light is ideal for easy retrofits or upgrade LED lighting. Being used in many military land vehicles, this light features overvoltage and transient power protection, and provides constant light output from 18 to 33 Vdc in case there are any voltage swings within the vehicle's power system. Additionally, the BW-A210 is capable of full PWM dimming from 0 to 100% through a third wire input if desired.

This Round Dome Light looks sleek in design while utilizing minimum mounting space with its small profile. It's perfect for any cockpit, boating, ground vehicle, cargo bay area, military land vehicle, or tank that requires unique LED lighting.



DESCRIPTION

Technical Data

- Voltage: 28 Vdc
- Current: 100 mA@28Vdc
- Operating Temp: -40° to 122° F
- Mass: 2.9 oz.
- Material: Anodized black 6061-T6 Aluminum
- MIL-STD-810G
- MIL-STD-461F (CE102, RE102)
- IEC 61000-4-2
- IP67 water rated
- MIL-STD 3009 compliant if NVIS White/NVG color option is chosen
- PWM Dimmable from 0 to 100%

Operating Features

- Overvoltage, Transient and Reverse protection
- Hidden Wires
- PWM Dimmable 0 to 100%
- IP67 Rated
- Designed and Manufactured in the USA

QUICK SPECS

- 40K Hour Life Span
- 28 Volt DC low power
- PWM Dimmable
- Many Color Options
- Black Anodized Aluminum
- IP67 Water rated

NVIS White color option allows for easy viewing without "greening out" important indication colors such as "reds" and "yellows"

APPLICATIONS



PART NUMBER:

- BW-A210-NVIS WHITE
- BW-A210-NVG Green
- BW-A210-White
- BW-A210-Red
- BW-A210-IR

CAGE CODE: #6PQC4
DUNS: 02-668-1220